

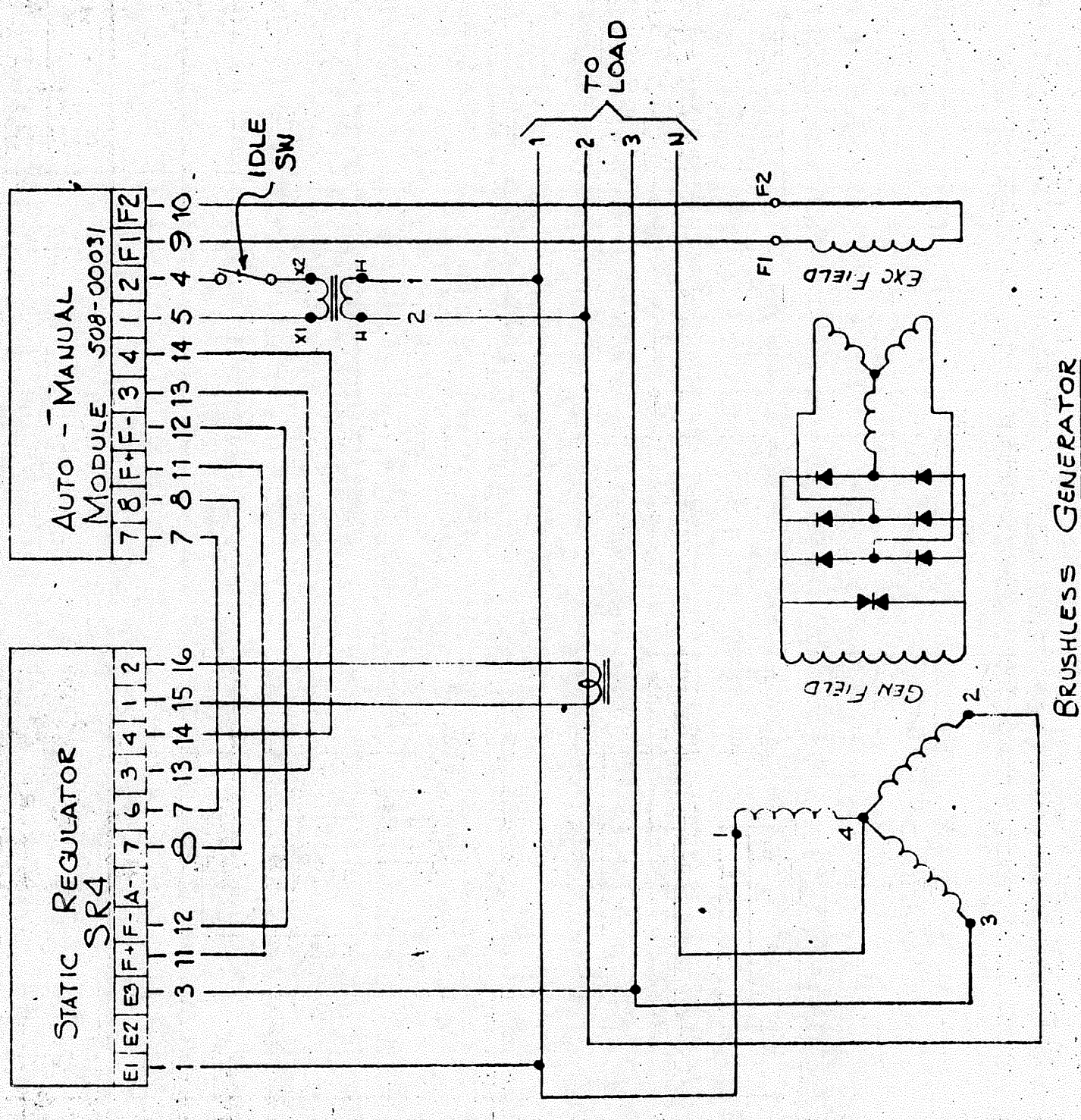
CON-SELECT

CONSOLIDATED SWITCHGEAR & ELECTRICAL SYSTEMS INC.
 BEAUMONT, TEXAS HARVEY (NEW ORLEANS) LOUISIANA

SCHEMATIC DIAGRAM, FOR FULL PARALLEL
 GENERATOR CONTROL & POWER DISTRIBUTION
 FOR 2-300KW, 480V, 3-PHASE, S.W. GENERATORS

SCALE: AS SHOWN
 DATE: 7-2-72
 DRAWN BY: J/B
 CHECKED BY:
 APPROVED BY:
 HULL # 375
 PO# 49543
 GYRE-0021

DRAWING NO. 12017-2
 SHEET NO. 2 OF 2



VOLTAGE REGULATOR CONNECTIONS